

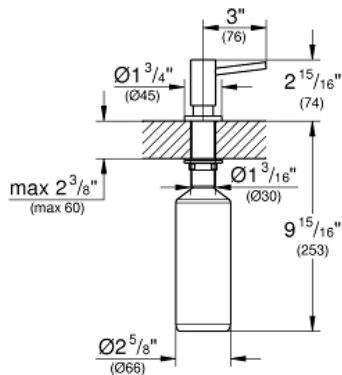
# Cosmopolitan Soap Dispenser

MODEL # 40535000

*Pure Freude an Wasser*

**GROHE**

GROHE America, Inc | 200 North Gary Avenue, Suite G, Roselle, IL 60172  
Phone: +1 (800) 444-7643 | Fax: +1 (800) 225-2778 | us-customerservice@grohe.com



**Product Description:**  
Cosmopolitan Soap Dispenser

**Standard Specification:**

- For liquid soaps
- 15 oz. (0.4 L) capacity
- **GROHE StarLight** finish

**Applicable Codes & Standards:**

- Energy Policy Act of 1992
- ASME A112.18.1/CSA B125.1

**Color:**  
 40535000 StarLight Chrome